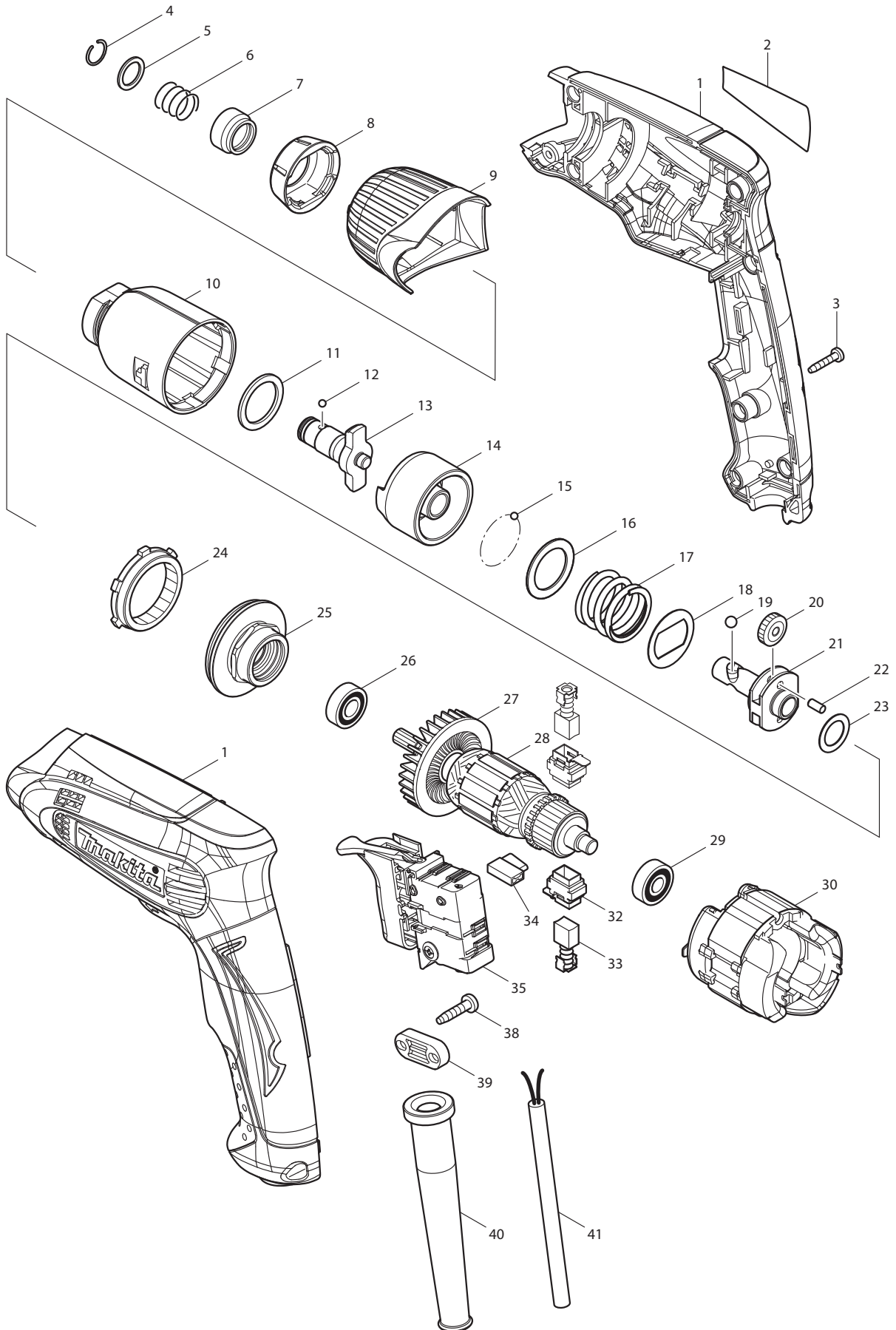




09 - 2010

TD0100

1/4" HEX IMPACT DRIVER



Item No.	Type	Sub	Part No.	Description	Qty	Unit
001			188663-3	HOUSING SET	1	SET
		INC.	810468-0	CAUTION LABEL	1	PC.
002			866253-9	TD0100 NAME PLATE	1	PC.
003			266429-2	TAPPING SCREW 3X16	8	PC.
004			231965-7	RING SPRING 10	1	PC.
005			267143-3	FLAT WASHER 11	1	PC.
006			233005-7	COMPRESSION SPRING 13	1	PC.
007			324711-6	BIT SLEEVE	1	PC.
008	2		424376-6	* BUMPER	1	PC.
009	2		452440-2	* HAMMER CASE COVER	1	PC.
010			158898-0	HAMMER CASE COMPLETE	1	PC.
011			261140-1	NYLON WASHER 20	1	PC.
012			216019-1	STEEL BALL 3	2	PC.
013	2		326630-2	ANVIL M	1	PC.
014			324894-2	HAMMER	1	PC.
015			216019-1	STEEL BALL 3	24	PC.
016			267380-9	FLAT WASHER 20	1	PC.
017			234096-1	COMPRESSION SPRING 21	1	PC.
018			267813-4	WASHER 21	1	PC.
019			216002-8	STEEL BALL 4.8	2	PC.
020			227213-0	SPUR GEAR 17	2	PC.
021			324897-6	SPINDLE	1	PC.
022			268217-3	PIN 3.5	2	PC.
023			253052-2	FLAT WASHER 12	1	PC.
024			227215-6	INTERNAL GEAR 43	1	PC.
025			158899-8	BEARING BOX COMPLETE	1	PC.
	2	INC.	210242-0	BALL BEARING 6801LLB	1	PC.
		INC.	213325-5	O RING 19	1	PC.
026			210013-5	BALL BEARING 698VV	1	PC.
027			240046-6	FAN 46	1	PC.
028			518560-3	ARMATURE ASSY 115V	1	PC.
		INC.		Item No. 26, 27, 29		
029			210062-2	BALL BEARING 607ZZ	1	PC.
030			639709-3	FIELD 115V	1	PC.
032			643936-6	BRUSH HOLDER	2	PC.
033	2		195007-0	CARBON BRUSH CB-407, 2PCS/SET (W/ ORIGIN)	1	SET
034			686039-3	RECEPTACLE SLEEVE	1	PC.
035			650615-9	SWITCH	1	PC.
038			266326-2	TAPPING SCREW 4X18	2	PC.
039			687123-7	STRAIN RELIEF	1	PC.
040			682559-5	CORD GUARD 8	1	PC.
041			664891-9	CORD WITH PLUG 2P-18-2.5M	1	PC.
100			654069-2	RECEPTACLE	2	PC.
101			654593-5	SPLICE	6	PC.
200			849868-7	CARTON	1	PC.

ACCESSORIES

- See catalogue or visit www.makita.ca for more optional accessories -

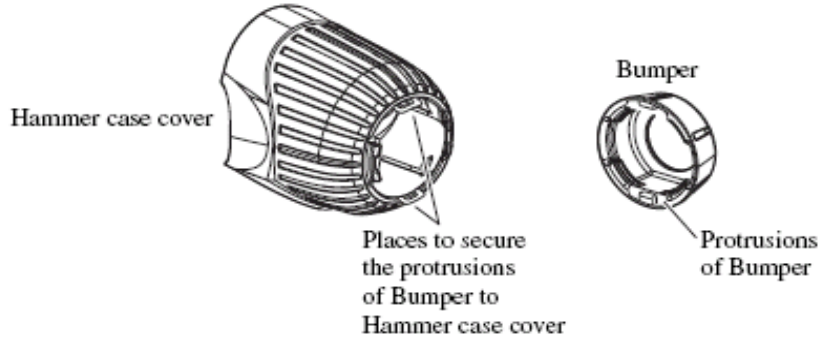
A01			784244-7	+ BIT 2-50	1	PC.
A02			194250-8	KEYLESS DRILL CHUCK ATTACHMENT	1	PC.
			191881-4	CONVENTIONAL DRILL CHUCK ATTACHMENT	1	PC.
A03			784643-3	CONNECT BIT 6.35-44	1	PC.
F31			192077-0	KEYLESS DRILL CHUCK	1	PC.

SERVICE CHANGES

1. Change on Hammer Case Cover and Bumper

Item No.	Description	Type1	Type2
8	Bumper	424184-4	424376-5
9	Hammer Case Cover	450976-5	452440-2

Above parts are completely interchangeable as a set.



(T/I# 89230)